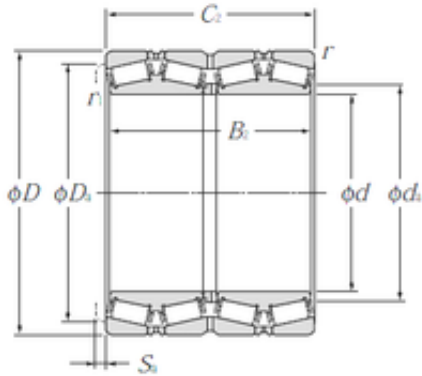


T-E-M231649D/M231610/M231610D NTN Tapered Roller Bearings



Bearing No. T-E-M231649D/M231610/M231610D

Size	152.4x222.25x174.625 mm
Bore Diameter	152,4 mm
Outer Diameter	222,25 mm
Width	174,625 mm
d	152,4 mm
D	222,25 mm
B	174,625 mm
C	174,625 mm
r min.	1,5 mm
r1 min.	1,5 mm
Da	207 mm
da	165 mm
Sa	4 mm
Weight	24,7 Kg
Basic dynamic load rating (C)	930 kN

T-E-M231649D/M231610/M231610D Bearing 2D drawings and 3D CAD models